

Dishwasher

Use and Care Manual

FOR MODELS

DW 55100 B (ADA Height)
DW 55100 FBI (ADA Height)
DW 55100 SS (ADA Height)
DW 55100 W (ADA Height)
DWT 54100 B
DWT 54100 FBI
DWT 54100 SS
DWT 54100 W
DWT 54400 SS ULTRA
DWT 54400 W ULTRA

DWT 55100 B
DWT 55100 FBI
DWT 55100 SS
DWT 55100 W
DWT 55200 BWS
DWT 55200 FBIWS
DWT 55200 SSWS
DWT 55200 WWS
DWT 55300 FBI
DWT 55300 B

DWT 55300 W
DWT 55300 SS
DWT 55500 SS
DWT 57500 B
DWT 57500 FBI
DWT 57500 SS
DWT 57500 W
DWT 57550 SS

Blomberg

USA

To prevent accidents, which could cause serious injury or death, as well as machine damage read these instructions before installation and / or use.

Contents

1. IMPORTANT SAFETY INSTRUCTIONS	1
2. INSTALLATION	3
3. GETTING TO KNOW YOUR DISHWASHER	4
4. LOADING THE DISHWASHER	5
4.1 UPPER RACK	7
4.2 LOWER RACK	9
4.3 PROPER AND IMPROPER LOADING OF DISHWARE	12
5. WHAT SHOULD NOT BE WASHED IN YOUR DISHWASHER	13
6. OPERATING THE DISHWASHER	14
7. DETERGENT & RINSE AID DISPENSER	17
7.1 FILLING THE DETERGENT DISPENSER	17
7.2 FILLING RINSE AID DISPENSER	18
8. SETTING THE WATER SOFTENER (MODEL DEPENDING)	19
9. FILLING THE DISHWASHER SALT DISPENSER (MODEL DEPENDING)	20
10. CARE AND MAINTENANCE	21
10.1 CARING FOR YOUR DISHWASHER EXTERIOR	21
10.2 CARING FOR YOUR DISHWASHER INTERIOR	21
11. TROUBLE SHOOTING	24
12. TECHNICAL FEATURES	30
13. WARRANTY STATEMENT FOR THE BLOMBERG DISHWASHERS	31
14. HOW TO GET SERVICE	32

INTRODUCTION

Please read this user manual and particularly the safety instructions completely and carefully. They will save you time and effort and help to ensure optimum dishwasher performance.

Be sure to observe all listed warnings and cautions. Look particularly for the icons with exclamation marks inside. The information icon will also provide important references.



WARNING:

Indicates a potentially hazardous situation which, if not avoided, could result in death or serious injury.

CAUTION :

Indicates a potentially hazardous situation which, if not avoided, may result in injury. It may also be used to alert against unsafe practices.

Notice :

Indicates a potentially hazardous situation which, if not avoided, may result in damage to the dishwasher, the table-ware, the equipment or the environment.

1. IMPORTANT SAFETY INSTRUCTIONS

⚠ WARNING

When using the dishwasher, follow basic precautions, including the following:

Read all instructions before using the dishwasher! Save these operating instructions and pass them on to any future user.

- Use the dishwasher only for its intended purpose as described in this user manual. This appliance is intended for normal household use only.
- **The manufacturer disclaims responsibility for damage or injury caused by improper use of this appliance.**
- The information in this user manual must be followed to minimize the risk of fire or explosion and to prevent property damage, personal injury or loss of life.
- Do not operate your dishwasher unless all the enclosure panels are properly in place.
- Do not tamper with the controls.
- Do not abuse, sit on, stand in or on the door or dish rack of the dishwasher.
- The cup racks are designed to support cups, glasses and kitchen utensils. When the cup racks are in the dishwasher do not lean on or use the cup racks to support your body weight.
- To reduce the risk of injury, do not allow children to play in, on or near the dishwasher.
- Use only detergents or rinse aids recommended for use in a household dishwasher and keep them in a dry place out of the reach of children. Check that the detergent dispenser is empty after the completion of each wash program.
- Dishwasher detergents are alkaline. They can be dangerous if inhaled or swallowed. Avoid contact with skin and eyes and keep children and infirm persons away from the dishwasher

when the door is opened. Consult a doctor immediately if detergent has been swallowed or inhaled.

- Do not drink water from the dishwasher! Harmful residues could be present.
- Under certain conditions hydrogen gas may be produced in a hot water heater system that has not been used for two weeks or more. Hydrogen gas is explosive. If the hot water system has not been used for such period, before using the dishwasher turn on all hot water taps and let the water flow from each for several minutes. This will release any accumulated hydrogen gas. As gas is flammable, do not smoke or use an open flame during this time.
- Do not store or use flammable liquids or vapors in the area of the dishwasher.
- When loading items to be washed, position sharp items so that they are not likely to damage the door seal and load sharp knives with the handles up to reduce the risk of cut-type injuries.
- Do not wash plastic items unless they are marked "dishwasher safe" or the equivalent. For plastic items not so marked, check the manufacturer's recommendations.
- If a malfunction occurs, switch off the appliance and turn off the water supply to the dishwasher.
- Before cleaning or carrying out maintenance, switch off the appliance, disconnect the power plug and turn off the water supply.
- Repairs and technical modifications must be carried out exclusively by a qualified technician.
- If the dishwasher is not in use for an extended period of time (i.e. vacation home), we recommend you check that the baskets are empty, leave the inside of the dishwasher clean, leave the door cracked open to allow air to circulate and turn off both the power and water supply to the dishwasher.

- This appliance must be grounded. In the event of a malfunction or breakdown, grounding will reduce the risk of electric shock by providing a path of least resistance for electric current. This appliance is equipped with a cord having an equipment-grounding conductor and a grounding plug. The plug must be plugged into an appropriate outlet that is installed and grounded in accordance with all local codes and ordinances.
- This appliance must be connected to a grounded metal, permanent wiring system, or an equipment-grounding conductor must be run with the circuit conductors and connected to the equipment-grounding terminal or lead on the appliance.

WARNING

- **Improper connection of the equipment-grounding conductor can result in a risk of electric shock. Check with a qualified electrician or service representative if you are in doubt whether the appliance is properly grounded. Do not modify the plug provided with the appliance, if it will not fit the outlet, have a proper outlet installed by a qualified electrician.**

SAVE THESE INSTRUCTIONS

2. INSTALLATION

WARNING

When installing the dishwasher, follow basic precautions, including the following:

- The dishwasher installation must be performed in accordance with the installation manual. If you did not receive an installation manual order it by calling **1-800-459-9848** or you may also download it from our web site at **www.blombergappliances.com**
- Installation, maintenance and repair should be performed by a qualified installer. Work by unqualified persons could be dangerous and may void the warranty.
- Do not operate the appliance if damaged, malfunctioning, partially disassembled or if it has missing or broken parts.
- Before installation or service, disconnect the power supply to the work area by unplugging the unit, “tripping” the circuit breaker or removing the fuse.
- Only connect the dishwasher to the power supply when all installation and plumbing work is complete.
- Do not install or store the dishwasher where it can be exposed to below freezing temperatures or exposed to weather.
- Dishwasher must be secured to adjacent cabinetry using the brackets provided. Failure to do this may cause damage to property or bodily injury.
- Connect to a properly rated, protected and sized power supply circuit to avoid electrical overload. The dishwasher is designed for an electrical supply of 120 V (volts), 60 Hz (hertz), AC, connected to a dishwasher-dedicated, properly grounded electrical circuit with a fuse or breakers rated for 15 amperes. Electrical supply conductors shall be a minimum of # 16 AWG copper wire rated at 75 °C (167 °F) or higher. These requirements must be met to prevent injury and machine damage. Consult a qualified electrician if in doubt.
- Do not use any extension cord or portable outlet device to connect the dishwasher to a power supply.

WARNING

Danger of suffocation!

Ensure that any plastic wrappings, bags, small pieces etc. are disposed of safely and kept out of the reach of children.

- Remove the door to the washing compartment when removing an old dishwasher from service or discarding it. Ensure that the appliance presents no danger to children while being stored for disposal.
- Old appliances may contain materials that can be recycled. Please contact your local recycling authority about the possibility of recycling these materials.

3. GETTING TO KNOW YOUR DISHWASHER

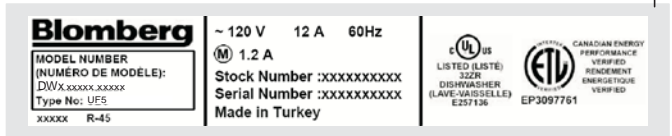
FOR MODELS

DW 55100 B (ADA Height)
 DW 55100 FBI (ADA Height)
 DW 55100 SS (ADA Height)
 DW 55100 W (ADA Height)
 DWT 54100 B
 DWT 54100 FBI
 DWT 54100 SS
 DWT 54100 W
 DWT 54400 SS ULTRA
 DWT 54400 W ULTRA

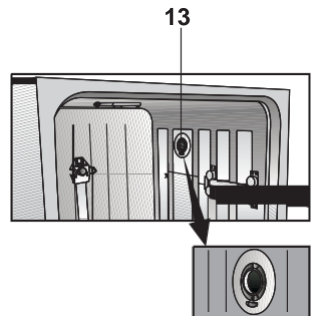
DWT 55100 B
 DWT 55100 FBI
 DWT 55100 SS
 DWT 55100 W
 DWT 55200 BWS
 DWT 55200 FBIWS

DWT 55200 SSWS
 DWT 55200 WWS
 DWT 55300 FBI
 DWT 55300 B
 DWT 55300 W
 DWT 55300 SS

DWT 55500 SS
 DWT 57500 B
 DWT 57500 FBI
 DWT 57500 SS
 DWT 57500 W
 DWT 57550 SS



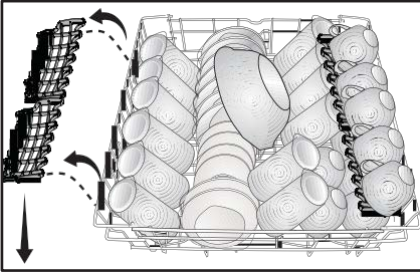
1. Upper rack
2. Upper spray arm
3. Salt container (model depending)
4. Cutlery basket
5. Detergent dispenser
6. Door
7. Control panel
8. Guiding track for the upper rack
9. Lower spray arm
10. Filters
11. Lower rack
12. Model and Serial Tag
13. Turbo fan heat drying system (model depending)
14. Removable 3rd basket (model depending)
15. Additional upper spray arm (model depending)



4. LOADING THE DISHWASHER

1. Pull the handle to open the door. If the door is opened during operation, the dishwasher will stop running. Once the door is closed the program will continue.

Upper rack MODEL DEPENDING



Top rack load pattern for 12 place settings according to the AHAM DW-1 Standards

⚠ CAUTION

Hot steam can escape! Danger of serious burns or other injury.

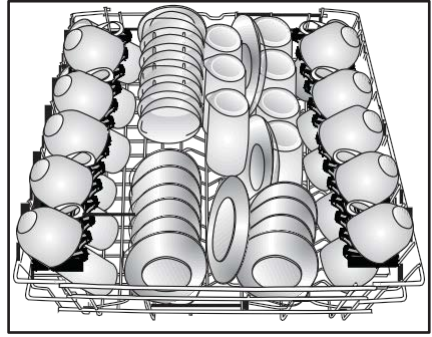
2. Remove coarse food leftovers from tableware.
3. Now you can load the dishwasher.

Lower rack MODEL DEPENDING



Bottom rack load pattern for 12 place settings according to the AHAM DW-1 Standards

Upper rack MODEL DEPENDING



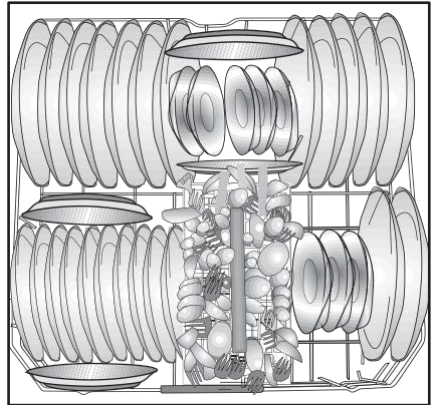
International Loading Pattern – Top rack
(14 place settings)

⚠ CAUTION

Hot steam can escape! Danger of serious burns or other injury.

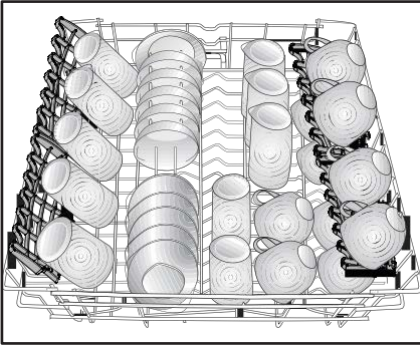
2. Remove coarse food leftovers from tableware.
3. Now you can load the dishwasher.

Lower rack MODEL DEPENDING



International Loading Pattern – Bottom rack
(14 place settings)

Upper rack MODEL DEPENDING



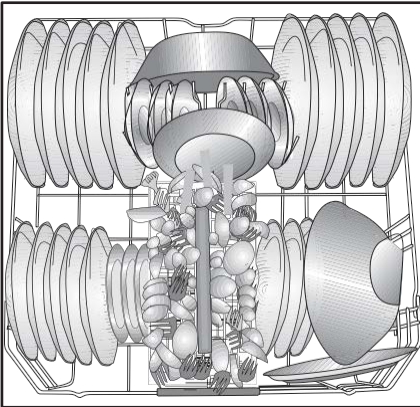
Additional Loading Pattern – Top rack (10 place settings)

⚠ CAUTION

Hot steam can escape! Danger of serious burns or other injury.

2. Remove coarse food leftovers from tableware.
3. Now you can load the dishwasher.

Lower rack MODEL DEPENDING



Additional Loading Pattern – Bottom rack (10 place settings)

⚠ CAUTION

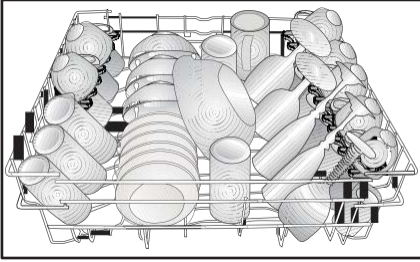
- Large knives and other utensils with sharp tips and edges must be placed horizontally into the upper rack due to risk of injury. Other smaller knives and sharp utensils should be placed with sharp side down in the cutlery basket.
- Use extreme caution when removing knives and other sharp utensils from the dishwasher. These items may have shifted position during the wash program, and may be wet or slippery.
- The cup racks are designed to support cups, glasses and kitchen utensils. When the cup racks are in the dishwasher do not lean on or use the cup racks to support your body weight.

☐ Notice :

- 3rd basket should be removed out of the dishwasher during the tests according to AHAM DW-1.
- Your dishwasher holds a maximum of 12 place settings.
- Place all containers such as cups, glasses and pots into the dishwasher with the opening facing downwards (so that no water can collect).
- Small and light items can go into the upper rack.
- Long and narrow items are placed in the middle of the racks.
- Place all large and very dirty items in the lower rack.
- Dishes and cutlery should not be placed above each other.
- Glasses should not touch each other.
- The movement of the spray arms must not be hindered.
- Do not overload your dishwasher and pay attention to manufacturer instructions regarding dishes which are appropriate for use in for a dishwasher. Only with suitable dishes (mentioned in section 5) will you obtain optimal washing results with a sensible use of energy.

4.1 UPPER RACK

Load the upper rack with dessert plates, cups, glasses etc.



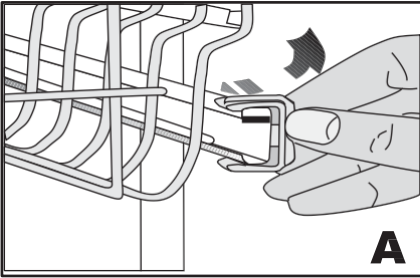
4.1.1 HEIGHT SETTING (MODEL DEPENDENT)

In certain models, the height setting of the upper rack may be changed using the wheels which are present at two height levels.

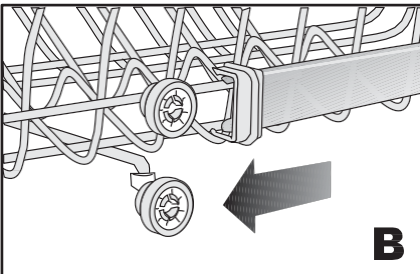
⚠ CAUTION

Make sure that the rack is empty. Changing the height setting while the rack contains tableware could cause the contents to dislodge, causing personal injury or damage to the tableware.

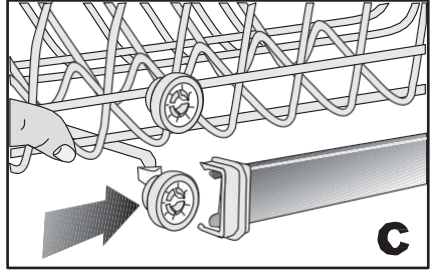
1. Release the latches on both the right and left tracks of the upper rack by turning them to the outside **A**.



2. Pull out the rack completely **B**.



3. Place the rack into the tracks again at the desired height **C**.



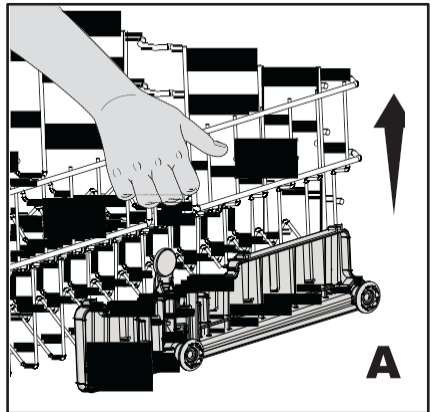
4. Push the latches back into the correct position.

4.1.2 VARIABLE HEIGHT SETTING (MODEL DEPENDENT)

The upper rack is equipped with a lifting mechanism which enables you to change the height of the rack even if it is fully loaded, and without having to remove it from the dishwasher.

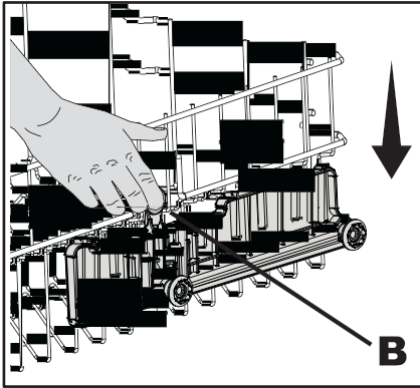
LIFT UPPER RACK

1. To lift the upper rack to a higher position, hold it on one side and carefully pull it upwards **A**.
2. To lift the opposite side of the rack, hold it and pull it upwards in the same manner.



LOWER UPPER RACK

1. To lower the upper rack, hold and press in the rack lever on one side and carefully lower the rack without releasing the lever **B**.



2. Repeat the procedure with the lever on the opposite side of the rack.

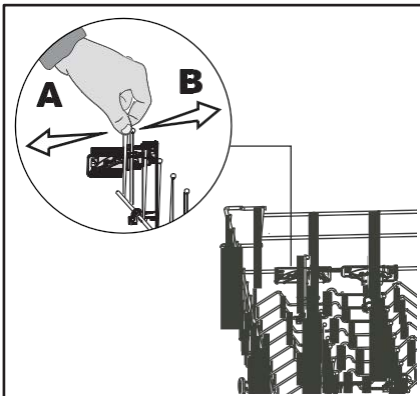
Notice :

Make sure that both levers catch in the same height position.

4.1.3 FOLDING TINES (MODEL DEPENDING)

There are “folding tines” in the upper rack to allow you more space to accommodate glasses or cups.

Simply pull in the first front folding tine, move it to left **A** and right **B** to place in another position. When you need, take the tines down until the tines fall down.

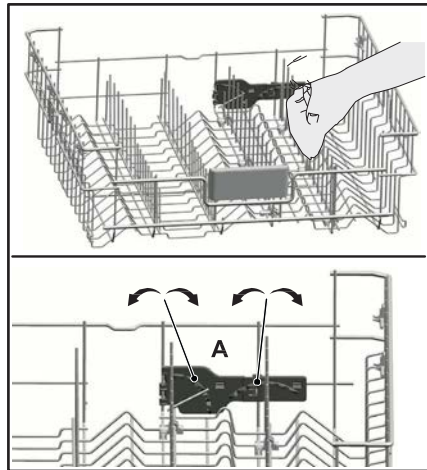


4.1.4 COLLAPSABLE UPPER BASKET WIRES

(MODEL DEPENDING)

Upper basket of the machine is equipped with wires with gradual folding system (**A**) that you can lay down when you need a larger space for large dishes.

To bring the collapsible wires into horizontal position, grab the wire from mid position and push them in the directions of arrows. Place your larger dishes into the area created. To bring the wires back to vertical position, just lift them up. Collapsible wires will click into the latch again.



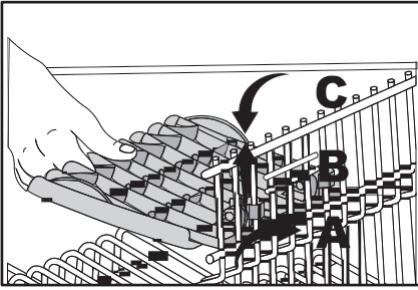
Notice :

Bringing the wires to the horizontal position by holding them from the tips may cause them to bend. Therefore, it will be appropriate to bring the wires in the middle to horizontal or vertical position by holding them from their stems and pushing in the direction of arrow.

4.1.5 ADJUSTABLE SHELVES (MODEL DEPENDING)

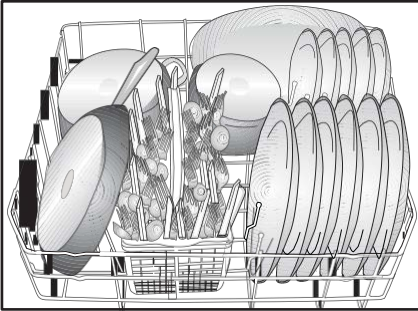
Depending on the size of the glasses and cups, the shelf height setting may be adjusted.

1. Fold the shelf upwards **A**.
2. Positioning at the desired height **B**.
3. Fold the shelf again downwards **C**.



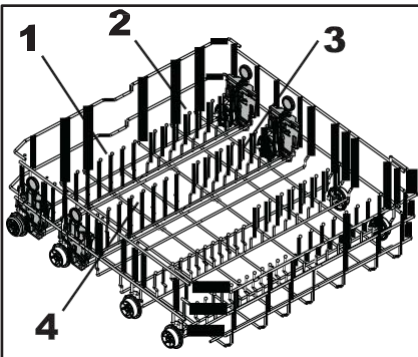
4.2 LOWER RACK

Use the lower rack for plates, bowls, pots etc.

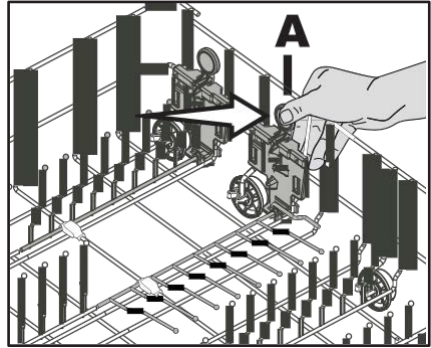


4.2.1 FOUR FOLDING PLATE SUPPORT TINES (MODEL DEPENDENT)

There are 4 separate “folding plate support tines” in the lower rack of your dishwasher designed to allow you more space to accommodate saucepans, pots and large bowls in the lower rack. You can either fold each section (1, 2, 3, 4) individually or, all at once, to create a large empty space.



Simply press the handgrips **A** and fold them down. Pull tines up to fold them up again.

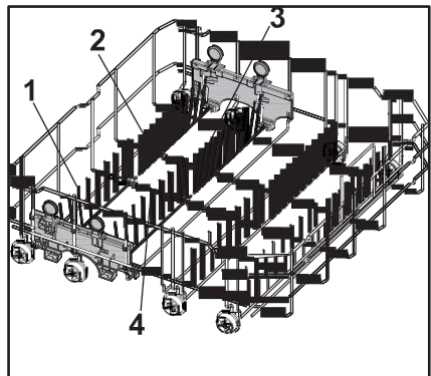


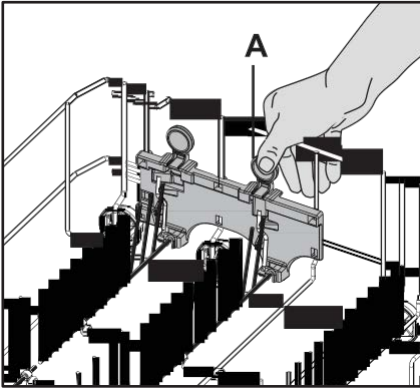
☐ Notice :

When finished, test to ensure that the spray arm can still move freely.

4.2.2 COLLAPSABLE LOWER BASKET WIRES 4 PIECES-(MODEL DEPENDENT)

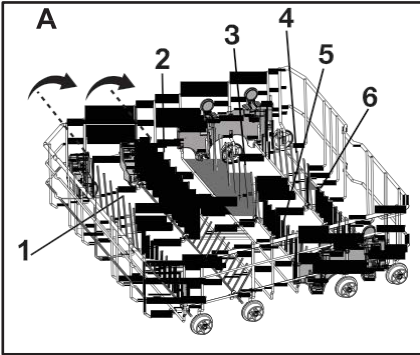
The four piece foldable wires located at the lower basket of the machine are designed for an easier placement of large pieces such as pans, bowls, etc. (1, 2, 3, 4). You can create larger spaces by folding each wire individually or all of them at once. Lay the foldable wires down by pressing on the latch (A).





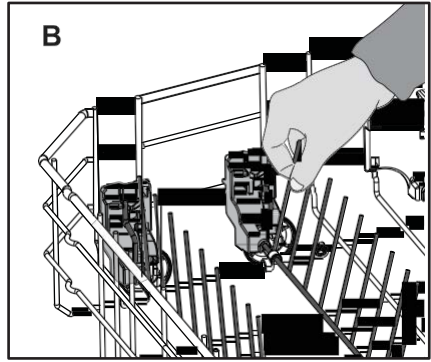
4.2.3 COLLAPSABLE LOWER BASKET WIRES 6 PIECES-(MODEL DEPENDENT)

The foldable wires (A) located at the lower basket of the machine are designed for an easier placement of large pieces such as pans, bowls, etc. You can create larger spaces by folding each wire individually or all them at once.



To bring the collapsible wires into horizontal position, grab the wire from mid position and push them in the directions of arrows

(B) To bring the wires back to vertical position, just lift them up. Collapsible wires will click into the latch again.

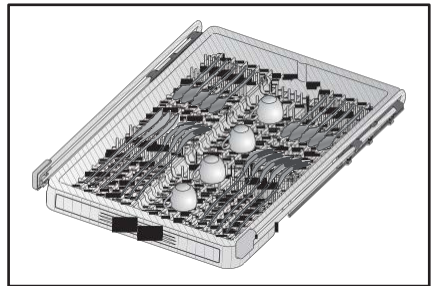


Notice :

Bringing the wires to the horizontal position by holding them from the tips may cause them to bend. Therefore, it will be appropriate to bring the wires in the middle to horizontal or vertical position by holding them from their stems and pushing in the direction of arrow.

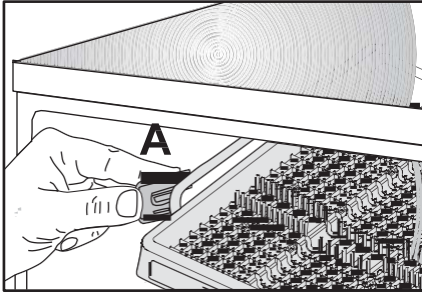
4.2.4 REMOVABLE 3rd BASKET (MODEL DEPENDENT)

The Removable 3rd basket is designed for small dishes, or long dishes that cannot fit into the cutlery basket.

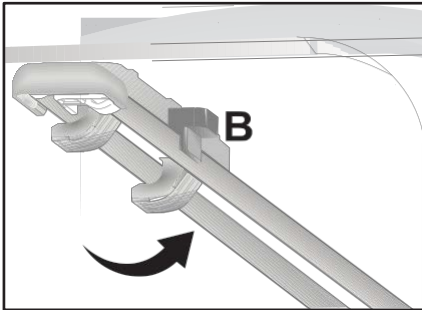


Thanks to the easy take-out feature, it allows removing the dishes from the machine together with the basket after washing operation. Since it can fit into all standard size drawers, there is no need to remove the dishes from the basket and place them separately into the kitchen drawers or shelves.

If you don't want to use the Removable 3rd basket, pull it back to yourself to remove it from the machine, rotate the rail lids **A** towards outside and pull them towards yourself to take them out.



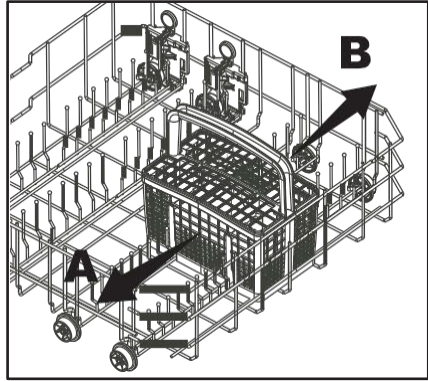
After taking out the basket by lifting it up, remove the carrier part from the rails by pulling it towards yourself. Replace the rail lids and push them back to seat them into their places. Turn the rails inside the machine outwards **B** to seat them properly in their places.



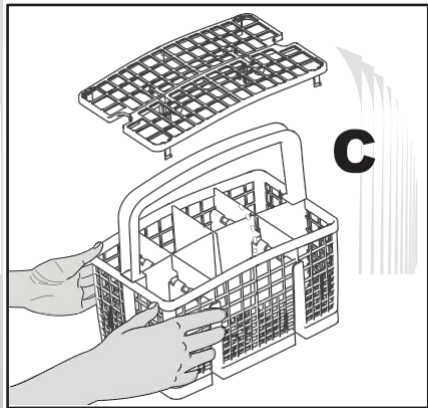
In order to put the Removable 3rd basket back into its place, repeat the same process in reverse order.

4.2.5 SLIDING CUTLERY BASKET

Designed to allow free placement of the dishes according to their size, the Sliding Cutlery Basket can slide over the tines to the left **A** and right **B** side.



Use the basket inset **C** for your cutlery so that all items in the basket are surrounded by a sufficient water flow. For larger items (e.g. wire whisks) the basket inset may be removed **C**. Simply raise.



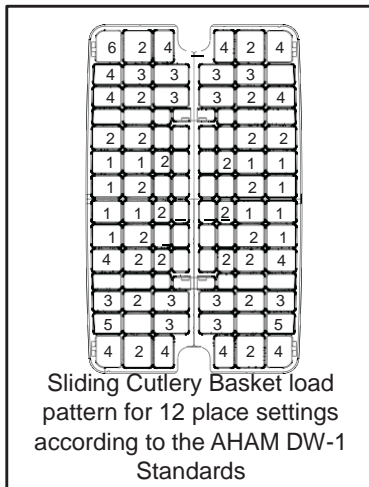
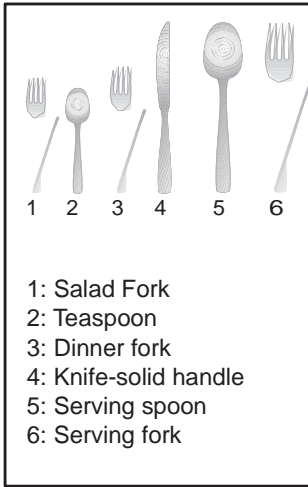
To make loading easier, the cutlery basket can be removed. Simply take out basket upward.

Place long items such as ladles, cooking spoons etc. on the shelf in the upper rack.

☐ Notice :

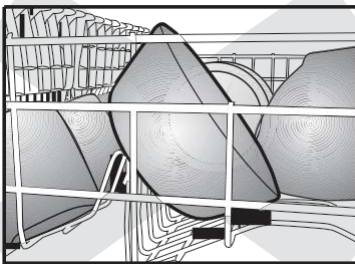
When finished, test to ensure that the spray arm can still move freely.

4.3 PROPER AND IMPROPER LOADING OF DISHWARE

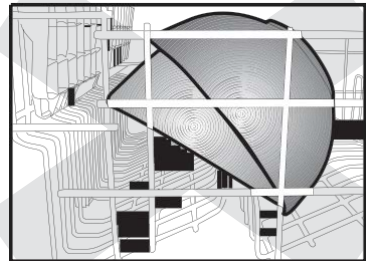


- Notice :**
- Place all large and very dirty items in the lower rack.
 - Place all containers such as cups, glasses and pots into the dishwasher with the opening facing downwards (so that no water can collect).
 - The movement of the spray arms must not be hindered.
 - Do not overload your dishwasher. Dishes and cutlery should not be placed above each other. Glasses should not touch.

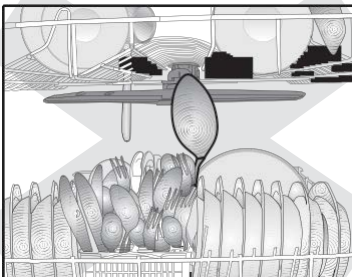
- Only with suitable dishes (mentioned in section 5) will you obtain optimal washing results with a sensible use of energy.



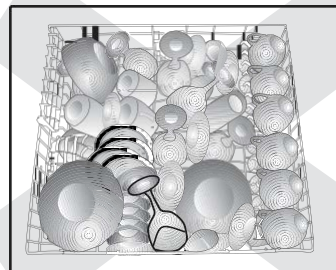
incorrect



incorrect



incorrect



incorrect

5. WHAT SHOULD NOT BE WASHED IN YOUR DISHWASHER

Notice :

- Rust-sensitive steel parts like iron and cast iron that can rust and stain other utensils and damage the interior stainless steel liner of the dishwasher and void the warranty. Do not wash copper, brass, pewter, bronze or tin.
- Cutlery with wooden or horn handles and cutlery with mother-of-pearl or porcelain handles will deteriorate over time if put in the dishwasher.
- Plastics may lose their shape or color with hot water, please follow the instructions of plastic manufacturers. Be sure that plastic items are marked "dishwasher safe".
- Glued dishes or cutlery are not suitable for machine washing since certain adhesives may get soft or dissolve with hot water.
- Aluminum may fade over time. Minerals in water and detergent may cause the aluminum to darken or spot.
- Sterling silver articles should not be washed in the dishwasher because they tend to discolor and become dull by dishwasher detergent.
- Silverware and stainless steel items should not be in contact with each other. Mixing these items can cause staining. Remove and hand dry these items immediately when the program ends.
- Decorated glasses, porcelain, fine china and china with gold rims are sensitive to machine washing. They may lose their patterns and colors over time.
- Crystal and very fine glassware may become opaque (etch) losing their shine over time. You may prefer to wash them by hand.
- Do not wash sponges or dish cloths in dishwasher.
- Do not wash art and craft articles in dishwasher.

- Disposable plastics and disposable aluminum cannot withstand high temperatures; do not wash them in the dishwasher.

CAUTION

- **If in doubt, wash by hand or follow the instructions from the manufacturer of utensils, dishes, glasses or pots and pans.**
- **Do not wash items soiled with cigarette ash, candle wax, varnish, paints or chemicals since they can damage your dishwasher.**

Notice :

We recommend when buying new dishware, try to choose ones that are suitable for machine washing (marked as dishwasher safe).

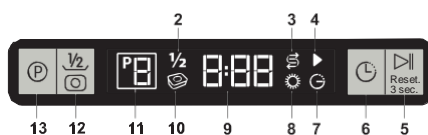
CARING FOR YOUR TABLE-WARE

The combination of high temperatures and dishwasher detergent may cause damage to some items if they are washed in the dishwasher. Remember, if there is any doubt about any aspect concerning items to be washed in the dishwasher, follow the instructions from the manufacturer of the items, or wash the items by hand.

6. OPERATING THE DISHWASHER



- 1 On/Off button
- 2 Half Load indicator led
- 3 Salt level indicator led *
- 4 Start/Pause/Cancel indicator led
- 5 Start/Pause/Cancel button
- 6 Time Delay button
- 7 Time Delay indicator led
- 8 Rinse aid level indicator led
- 9 Remaining Time Indicator/Delay Time Indicator



- 10 Tablet Detergent indicator
 - 11 Program Indicator
 - 12 Half Load/Combi Tablet button
 - 13 Program Selection button
- (* Model depending)

HOW TO USE YOUR DISHWASHER:

1. Open the door and load the dishwasher.
2. Check that both upper and lower spray arms move freely.
3. Pour correct amount of detergent into the detergent dispenser and close the lid.
4. Push in the On/Off button **1** and check that the display lights come on.
5. Check the rinse aid level indicator led. **8** If necessary, refill rinse aid.
6. Check the salt level indicator led. **3** If necessary, refill salt. (model depending)
7. Use the Program Selection button **13** to choose your washing program.
 - When there are few dishes, additionally use the Half Load function.
 - Depending on the hardness level of the tap water, the Tablet Detergent function allows better drying and washing performance from the multi-purpose tablets.
8. Start the program with the Start/Pause/Cancel button **5**.
9. Close the door and the program will start.
10. When the wash program has ended, an electronic beep will sound and will continue every 10 seconds. After 2 minutes of elapsed time the sound will stop. The beep can also be stopped by opening the door or by pressing the On/Off button **1**.
11. Press the On/Off button **1** and open the door after the program is completed. The indicator lights will go off.

12. Allow your dishes to cool for 15 minutes, with the door open.
13. Unload the dishes. Begin with the lower rack.

CAUTION

Avoid opening the door during the washing process. This interrupts the washing process, and hot steam will escape. Hot steam can cause burns and other serious injuries. When the door is closed, the program will continue.

FUNCTION BUTTONS



ON/OFF BUTTON

Turn the dishwasher on with the On/Off button. When turning on, the icon on the display module of the last used program will light

up.



PROGRAM SELECTION BUTTON

Use the Program Selection button to select the desired program. The icon of the corresponding program will light up.

Refer to "Table of Programme Data and Average Consumption Values" to select a programme suitable for your dishes. Select the desired programme with programme selection button.



HALF LOAD/TABLET DETERGENT BUTTON

Half Load/Tablet Detergent

Button allows you to turn on and off the Half Load and Tablet Detergent functions of your machine.

HALF LOAD FUNCTION

If you want to run your machine without loading it completely, place your dishes into the machine as you desire. Press On/Off button to turn on your machine. Press the Half Load/Tablet Detergent button after selecting the desired programme until Half Load Indicator lights up, then press Start/Pause/Cancel button and close the door of your machine. With the Half Load option you can use every part of your lower and upper baskets and you can save from both water and power. This function helps you to save water and energy

TABLET DETERGENT FUNCTION

Depending on the hardness level of the tap water, the Tablet Detergent function allows obtaining a better drying performance from the multi-purpose detergents such as 2in1, 3in1, 4in1, 5in1, etc., called as all-in-one detergents. Tablet Detergent Indicator lights when the Tablet Detergent function is selected.

Salt and Rinse Aid indicators turn off when this function is activated.

Turn on your machine by pressing the On/Off button to use the Tablet Detergent function. Press the Half Load/Tablet Detergent button after selecting the desired programme until Half Load Indicator lights up, then press Start/Pause/Cancel button and close the door of your machine.

To use the Half Load and Tablet Detergent functions concurrently, turn on your machine by pressing the On/Off button and then press the Half Load/Tablet Detergent button until Half Load and Tablet Detergent Indicators illuminate together.

WARNING

If you have used the Half Load or Tablet Detergent features during the last programme you used, Half Load or the Tablet Detergent function will remain active in the next washing programme you will select. If you do not want to use these functions in the new programme you have selected, press the Half Load/Tablet Detergent button until the indicator of the relevant function turns off.



START/PAUSE/CANCEL BUTTON

Use this button to start the selected program. When the button is pressed once, the light on the button will turn on. Stop the program with the Start/Pause/Cancel button.



REMAING TIME INDICATOR/ DELAY TIME INDICATOR

You can follow the remaining program duration from the time indicator display.



TIME DELAY BUTTON

This option enables you to start the selected program with a delay of 0,5 to 9,5 hours.

1. Delay time is adjusted by pressing the Time Delay button (press several times).
2. After adjusting the delay time, press the Start/Pause/Cancel button.
3. Close the door. At the end of the delay set, the program starts automatically.

Notice :

During a wash program the Time Delay option does not function.

CANCELLATION OF A PROGRAM

To cancel a program while the dishwasher is running:

1. Open the door gently.
2. Press and hold Start/Pause/Cancel button for 3 seconds. The indicator light will start flashing.
3. Close the door.
4. The dishwasher will drain the water inside the machine for 2 minutes. At the end of the cycle a beep will sound. You can choose and start a new program.

⚠ WARNING

Depending on the stage of the program you have cancelled, there may be detergent residue or rinse aid inside the machine and on the dishes. Make sure the items in the dishwasher are not used before washing properly. Ingestion or inhalation of detergent or rinse aid may cause serious injury. Avoid contact with skin and eyes and keep children and infirm persons away from these materials.

PROGRAM CHANGE

To change the program selection while the dishwasher is running:

1. Open the door.
2. Press Start/Pause/Cancel and select a new program.
3. Press Start/Pause/Cancel again, to start.

⚠ WARNING

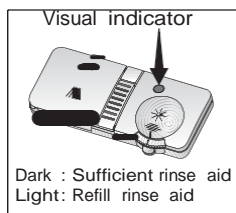
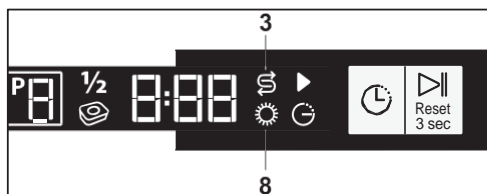
Depending on the length of the terminated program detergent and rinse aid may still be in the dispensers.

Ingestion or inhalation of detergent or rinse aid may cause serious injury. Avoid contact with skin and eyes, and keep children and infirm persons away from these materials.

CHANGING WARNING SOUND VOLUME

Press and hold Half Load / Tablet Detergent key for 5 seconds until S:03 appears on the display. Every time you press the Half Load / Tablet Detergent key, the warning sound level will change as - - Off, S:01 Low, S:02 Medium, and S:03 High. After selecting the sound volume, wait for 10 seconds to save it. Factory setting of your machine is S:03.

8 RINSE AID LEVEL INDICATOR LED

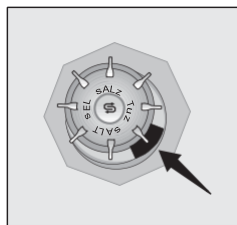
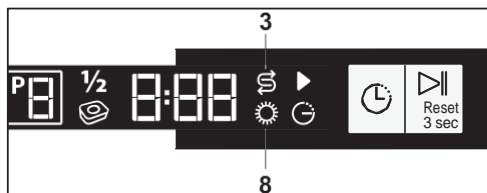


If this indicator light comes on, you need to refill rinse aid. You can also tell whether rinse aid must be refilled by looking at the rinse aid

dispenser. When the visual fill indicator is dark, there is enough rinse aid in the dispenser.

When the color is light, open the dispenser and refill rinse aid.

3 SALT LEVEL INDICATOR LED (MODEL DEPENDING)



When this indicator light comes on, you must refill special salt. Only use special dishwasher salt in your machine to soften the water.

The salt content can be read on the container for the salt. When the visual fill indicator is dark, there is enough salt in the container.

When the color is light, open the container and add dishwasher salt.

7. DETERGENT & RINSE AID DISPENSER

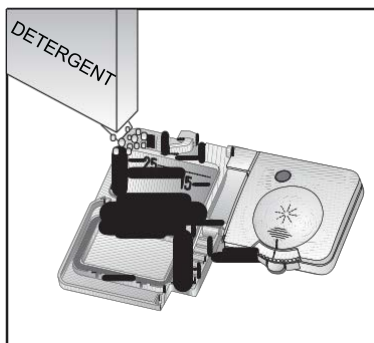
7.1 FILLING THE DETERGENT DISPENSER

WARNING

- Always store your detergent in locations which are cool, dry and out of the reach of children.
- Check that the detergent dispenser is empty after the completion of each wash program.
- Dishwasher detergents can be dangerous if inhaled or swallowed. Avoid contact with skin and eyes, keep children and infirm persons away from the dishwasher when the door is opened. Consult a doctor immediately if detergent has been swallowed or inhaled.

Notice :

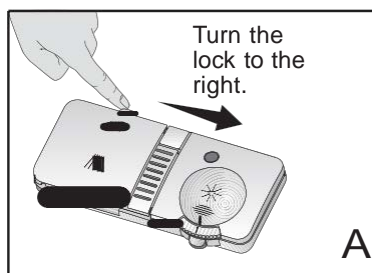
- Only use detergents suitable for dishwashers.
- Do not use detergent in Rinse & Hold cycle.
- Don't forget to pour / put the detergent into the dispenser before turning the machine on.
- Too much detergent may mean that the detergent does not dissolve properly and dishes could get scratched.
- Too much detergent in soft water may cause glass corrosion. Do not use too much detergent if your water supply is soft.



If you do not know the hardness of your water supply, use 15 ml / 3 tsp detergent. Increase the amount of detergent if you see white water marks especially on the surface of the glassware.

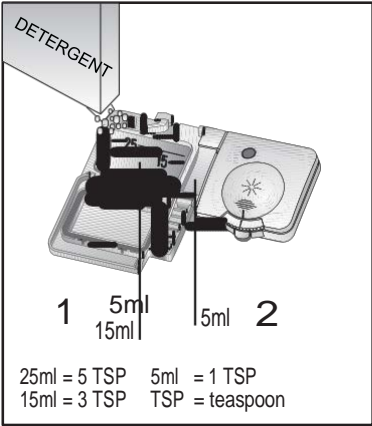
Find out the hardness of your water supply by asking your local water department, water softener company, or county extension agent.

1. Open the detergent container by pushing the lock to the right **A**.
2. Pour / put the detergent into the dispenser.
3. Close the lid until it clicks in.



- The detergent container holds a total of 40 ml / 8 tsp of detergent **1**.
- Marking lines on the inside of the detergent container aid in providing the correct amount of detergent. When the dishwasher is fully loaded and the dishes are very dirty, we recommend filling the detergent container up to the 25 ml / 5 tsp mark. When the dishes are less dirty, it is generally sufficient to fill the detergent up to the 15 ml / 3 tsp mark.
- The detergent amounts for the individual cleaning programs are shown in the "Quick Reference Guide - Program Table".
- Fill amounts given are for standard powder detergent. Amounts may vary if you use liquid or concentrated powder detergent. Tablet detergents should be placed in detergent container **1**. With the cover closed.
- Follow instructions on the package of the detergent when using liquid dishwasher detergent, concentrated powder detergent, or tablet detergent.

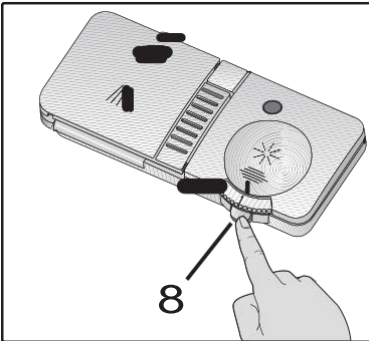
- Deviations are possible depending on how dirty the dishes are and how hard the water is in your location.
- If your dishes have been in the dishwasher for some time without being washed, also fill the smaller container **2**, up to the top.



7.2 FILLING RINSE AID DISPENSER

⚠ WARNING

Keep your rinse aids out of the reach of children. Ingestion or inhalation of rinse aid may cause serious injury. Avoid contact with skin and eyes, and keep children and infirm persons away from rinse aids.



ⓘ Notice :

- Only use rinse aids suited for use in dishwashers. Rinse aids allow washing water to rinse off more cleanly and prevent watermarks or streaks on the dishes.
- **If you use “2 in 1” or “3 in 1” detergents / tabs, you do not need additional rinse aid.**

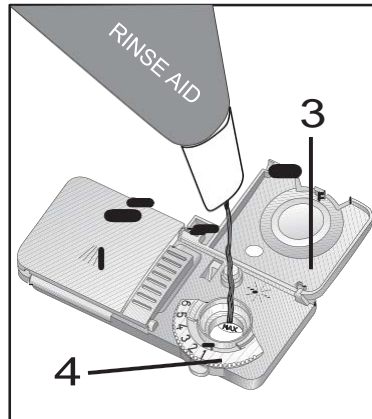
1. Open the rinse aid dispenser by pressing the lock **B**.
2. Carefully pour in rinse aid to the **MAX** mark.
3. Close the lid until it clicks in **3**.
4. Carefully wipe off spilled rinse aid. Excessive rinse aid causes excessive foam formation, which may hinder cleaning.

SET THE DOSE OF RINSE AID

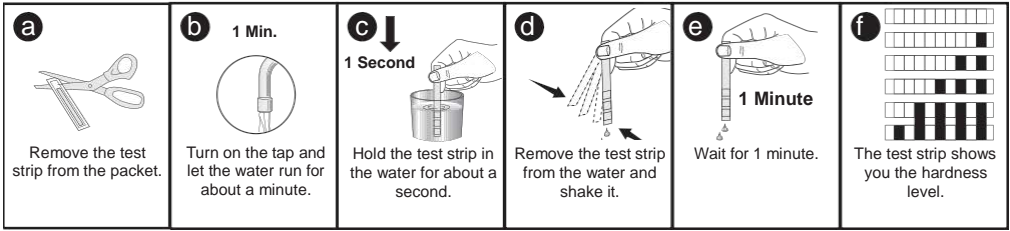
The dose of rinse aid to be used can be set by means of the dispenser regulator **4** between levels 1 and 6.

Change the setting, only if the following applies after washing:

- Watermarks are visible on the dishes: Set dosage higher.
- Streaks are visible on the dishes: Set dosage lower.



8. SETTING THE WATER SOFTENER (MODEL DEPENDING)



1. Press the **Program Selection button** before you switch the appliance on and keep this button pressed down.
2. Switch the appliance on using the **On/Off button**; then release the switch.
3. Release the **Program Selection button** when the water hardness level stored on your machine is displayed in "r....." format.
4. Start / Stop icon will start flashing as soon as the water hardness level stored on your machine.
5. Water hardness can be set to the desired level by pressing the **Time Delay button** (compare the test strip with the degrees of Hardness Table). The appropriate program follows up lights up.
6. Once you have set the hardness level, press the **Start/Stop/Cancel button** to save the value. The control indicator on the **Start/Stop/Cancel button** now lights up permanently.
7. Switch the appliance off again using the **On/Off button**.

WATER HARDNESS TABLE

Name of unit	American	PPM	German	Indicator in the Multi-Function Display
Definition	1 grain of CaCO ₃ / 1 gal (US) of water	1 mg of CaCO ₃ / 1 L of water	10 mg of CaO/ 1 L of water	
1 st Level 	0-6	0-80	0-4	Press the Time Delay button to switch the water hardness level to position 1. r1
2 nd Level 	7-12	81-130	5-7	
3 rd Level 	13-18	131-220	8-12	Press the Time Delay button to switch the water hardness level to position 2. r2
4 th Level 	19-23	221-270	13-15	Press the Time Delay button to switch the water hardness level to position 3. r3
5 th Level 	24-36	271-340	16-19	Press the Time Delay button to switch the water hardness level to position 4. r4
6 th Level 	37-47	341-800	20-45	Press the Time Delay button to switch the water hardness level to position 5. r5

Notice :

- If the water hardness level is less than 7 American degree of hardness, you do not need any special softening salt. In this case the 'salt' control indicator lights up continually.
- If your local hardness level exceeds 47 American degree of hardness, you should consider getting a water softening device for your dishwasher. If you use stream water or rainwater, you are advised to install filters.
- If you move do not forget to adjust the water hardness level to suit your new neighborhood.
- If the model does not have a salt dispenser ignore this changes. Water hardness level must in position 1.

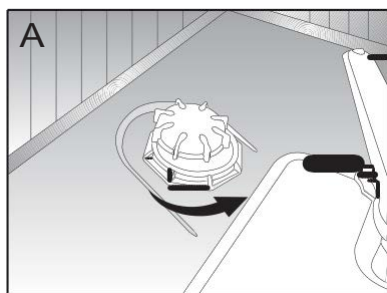
9. FILLING THE DISHWASHER SALT DISPENSER (MODEL DEPENDING)

⚠ CAUTION

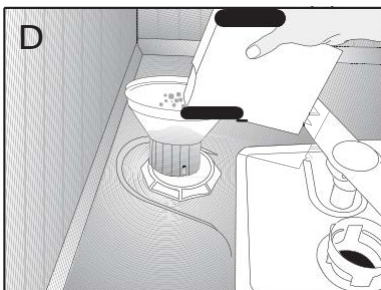
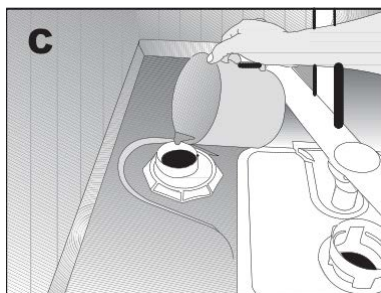
Never use culinary or table salt. These types of salt do not dissolve in water easily and will damage the function of the softening device.

📌 Notice :

- Only use special dishwasher salt in your machine to soften the water.
- Do not use coarse grained salt. Small grains or powdered salt is more easily soluble.
- The manufacturer is not liable for damages resulting from the use of the wrong type of salt.



1. Remove the lower rack from the machine.
2. Open the screw-in cap of the salt container by turning it counter clockwise (Fig. A, B).



3. When operating for the first time: Pour 1 Liter of water into the salt container (Fig. C).
4. Pour the salt into the container with the aid of the supplied salt funnel (Fig. D). Pour in enough salt to fill the container. The container holds approximately 2 kg / 4.4 pounds.
5. Close the cap tightly.

⚠ CAUTION

Begin any wash program immediately after filling the salt container. The washing program prevents damage to the machine which may be caused by any spilled salt solution.

After the first washing cycle, the salt level indicator light will go out. (model depending)

10. CARE AND MAINTENANCE

⚠ WARNING

- Before cleaning or carrying out maintenance, switch off the appliance, disconnect the mains plug and turn off the water tap.
- Do not repair or replace any part of the dishwasher or attempt any servicing unless specifically recommended by this manual. We recommend that the dishwasher only be repaired by an authorized service agent.

⚠ CAUTION

- To avoid the possibility of slipping, keep the floor around the dishwasher clean and dry.
- Keep your appliance free from the accumulation of combustible materials, such as lint, rags, and chemicals.
- If the dishwasher is not in use for an extended period of time, we recommend you check that the baskets are empty, leave the inside of the dishwasher clean, the door cracked open to allow air to circulate, turn off both the power and water supply to the dishwasher.

10.1 CARING FOR YOUR DISHWASHER EXTERIOR

⚠ CAUTION

Possible dishwasher damage: Abrasive cleaners, scouring pads, abrasive cloths (paper towels) can damage the dishwasher decorative door.

Possible dishwasher damage: Abrasive cleaners, scouring pads, abrasive cloths (paper towels) can damage the dishwasher decorative door.

Cleaning the control panel: Use only soft cloth that is lightly dampened with mild detergent. Clean the control panel only with a moist cloth and clear water.

Cleaning the colored doors: Use only soft cloth that is lightly dampened with mild detergent.

Cleaning the stainless steel doors: Use a soft cloth with a cleaner made for cleaning stainless steel. For the best results, apply the stainless steel cleaner to a soft cloth and wipe the surface in the direction of the grain.

Cleaning the door gasket: Regularly clean the door gasket with a damp cloth to remove food particles and other debris. Use a gentle household cleaner for the outside and the door seals, and rinse thoroughly.

10.2 CARING FOR YOUR DISHWASHER INTERIOR

☐ Notice :

Cleaning your dishwasher at regular intervals ensures longer product life and reduces the risk of recurring problems. Always disconnect the power to machine before cleaning.

⚠ CAUTION

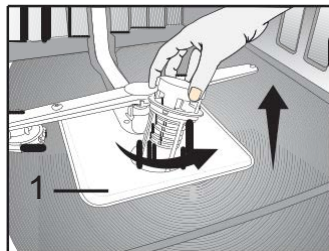
When cleaning the underside of the main filter, care must be taken on the sharp outer edge to avoid the risk of cut type injuries.

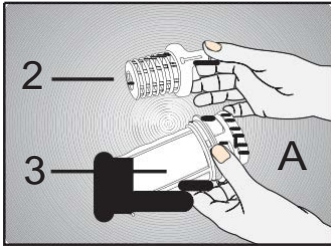
10.2.1 CLEANING THE FILTERS

Clean the filters and the spray arms regularly. A dirty dishwasher will have a negative effect on the cleaning results.

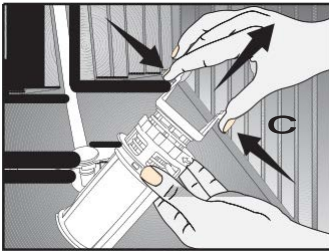
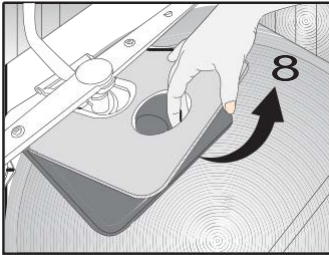
The following filters are to be cleaned:

1. Main filter
2. Coarse filter
3. Micro filter





1. Remove the lower rack from the machine.
2. Turn the coarse filter counterclockwise to the left and pull it out in an upward direction **A**.
3. Pull out the main filter **B**.
4. Press on the two tabs of the coarse filter and remove the micro filter **C**.
5. Clean the filters thoroughly under running water. Use a brush if necessary.
6. Replace main filter.
7. Replace the micro filter and the coarse filter into the main filter.
8. Twist it clockwise until it clicks into the place.



⚠ CAUTION

Do not operate your dishwasher without a filter. You will damage your machine. Ensure that your filters are correctly installed.

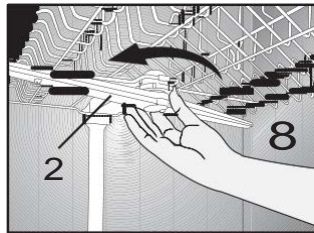
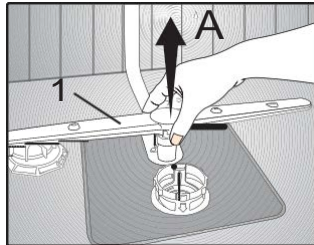
10.2.2 CLEANING THE SPRAY ARMS

ⓘ Notice :

Dirt and/or calcium residue may block the nozzles on the spray arms. For this reason, regularly check the spray nozzles.

1. Lower spray arm
2. Upper spray arm

1. Remove the lower rack from the machine.
2. Pull off the lower spray arm in an upward direction **A**.
3. Loosen the fastening screw of the upper spray arm and pull off the spray arm **B** by a downward motion.
4. Clean the spray arms under running water.
5. Replace the lower spray arm in a downward direction.
6. Replace the upper spray arm and tighten the fastening screw by turning it around to the left.
7. Insert the lower rack.



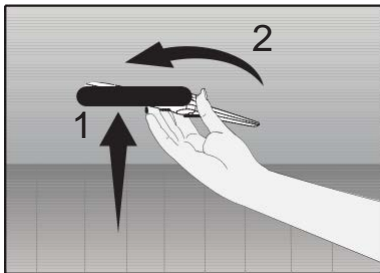
⚠ CAUTION

Ensure that the fastening screw is tight on upper spray arm.

Check if the holes on the top of the additional upper spray arm are clogged. If they are clogged, remove and clean them.

To remove them, slightly **1** push them upwards and then turn clockwise **2**.

To replace the impeller, seat it into its slot, push slightly upwards and turn it anticlockwise until it is securely fitted. When the impeller is released, check if it rotates without any obstruction.



11. TROUBLE SHOOTING

What if the dishwasher will not run :

- Is the machine plugged in?
- Are all fuses operative?
- Is the water supply fully turned on?
- Is the dishwasher door closed securely?
- Have you pressed the On/Off button?

What if the dishwasher starts but fails to circulate water within 5 seconds :

- Cancel the program by pressing the Start/Pause button for 5 seconds. See section 6. or Quick Reference Guide.

What if the door will not stay down in open position :

- Adjust door tentioners (wooden door models only, see Installation Manual)

What if the dishwasher produces poor cleaning results :

- “Follow the instructions given in the following pages”

Possible causes

- Improper loading
- Insufficient rinse aid supply
- Dishes are removed too soon
- Wrong program selection
- Washing cutlery with worn surface.

The dishes are not dry

How to fix these problems

- Load the dishwasher as suggested in this manual.
- Increase the dosage amount of rinse aid and/or refill the rinse aid dispenser.
- Do not empty your dishwasher immediately after washing. Open the door slightly so that the steam can escape. Begin with unloading the dishwasher when the dishes are only hand warm. Empty the lower rack first. This prevents water from dripping off dishes in the upper rack.
- In short period programs, the wash temperature and therefore the cleaning performance is lower. Choose a program with a longer washing time.
- Evaporation of water is more difficult with these items. Cutlery or dishes of this type is not suited for dishwashers.



Possible causes

- Improper loading.
- Wrong program selection.
- Spray arms are not turning.
- Clogged filters.
- Filters are not placed in their proper positions.
- Spray arm nozzles are clogged.
- Overloaded racks.
- Detergent is moist or clumping in box.
- Too little detergent.
- Too little rinse aid.
- The lid of the detergent dispenser remained open.
- Washing cutlery with worn surface quality.



Possible causes

- Wrong program selection.

The dishes are not clean

How to fix these problems

- Load the dishwasher as suggested in this manual.
- Select a program that washes at a higher temperature or takes a longer amount of time.
- Check if the spray arms are blocked from moving freely.
- Clean all filters as described in this manual.
- Check if all filters are placed in their proper positions.
- Clean the spray arms as described in this manual.
- Do not overload the racks.
- Store detergents in a dry location. Close the lid of the container securely.
- Increase the amount of the detergent as per the program table.
- Increase the amount of rinse aid and/or refill the rinse aid dispenser.
- Always ensure that you close the detergent dispenser lid after pouring in the detergent.
- Cutlery of this type is not suited to dishwashers.

Tea, coffee or other stains

How to fix these problems

- Select a program that washes at a higher temperature or takes a longer amount of time.

- Detergent is moist or clumping in box.
- Using cutlery with a low surface quality.

- Bleaches in cleaners lose their efficiency when stored under unfavorable conditions. Store detergents in a dry location. Close the lid of the container securely.
- Cleaning of these items is made difficult by their poor surface structure. Cutlery or dishes of this type are not for dishwashers.



Possible causes

- Insufficient rinse aid supply.
- The hardness is not selected properly; too little salt is being used.
- Salt loss (models with salt container)

Calcium streaks, misty appearance

How to fix these problems

- Increase the dosage amount of rinse aid and/or refill the rinse aid dispenser.
- Call water supplier and ask for local hardness in grains per gallon or ppm. Use a higher phosphate content detergent for hard water.
- Check whether the lid of the salt container is firmly closed. Use the funnel to pour in special salt. Begin the Rinse and Hold program right after filling in salt. After the program is complete, check whether the lid may have loosened.

Possible causes

- Smell of new machine.
- Filters are dirty.
- Dirty dishes standing in the machine for a few days without being washed.
- Dirty door gasket.

Smell

How to fix these problems

- The smell of a new machine disappears after a few wash cycles with detergent.
- Clean all filters as described in this manual.
- Remove coarse dirt under running water and run the Rinse and Hold program every 2 days without detergent.
- Regularly clean the door gasket with a damp cloth to remove food particles and other debris. Use a gentle household cleaner for the outside and the door seals, and rinse thoroughly.



Possible causes

- Excessive use of detergent when water hardness is low.



Possible causes

- The lid of the salt container is not closed securely. Salt loss. (models with salt container)
- Food leftovers are staying on the dishes for too long.
- The machine is not grounded properly.
- Cutlery parts from low-grade rust-free steel.
- Dish items with rust stains.

Milky appearance or rainbow on the glasses (glass corrosion)

How to fix these problems

- Add a smaller amount of detergent.
- Compare the water hardness level setting on the dishwasher against the stated values from the local water supplier.
- When water hardness is low (below 7 American degree of hardness or 106 parts per million), do not use salt even if your dishwasher has a water softener.
- Use a lower phosphate content detergent.

Rust stains, destruction of the surface

How to fix these problems

- Salt can destroy metal surfaces and cause rust damage.
- Check whether the lid of the salt container is firmly closed. Use the funnel to pour in special salt. Begin the Rinse and Hold program right after filling in salt. After the program is complete, check whether the lid may have loosened.
- Remove coarse dirt under running water and carry out the Rinse and Hold program every 2 days without detergent.
- Check the grounding of the system. Static electricity may eat holes into metal and cause irreparable damages to surfaces.
- Rust on such items cannot be avoided. Cutlery or dishes of this type are not suited for the dishwasher.
- Rusty dishes may “infect” other items. Cutlery or dishes of this type are not suited for the dishwasher.



Possible causes

- Fading of decoration on glasses and porcelain.

Fading of glasses, china, porcelain pattern

How to fix these problems

- Glasses, porcelain and cutlery of this type are not suited for the dishwasher.



Possible causes

- Moisture in the detergent dispenser.
- Detergent stays in the dispenser of the dishwasher for too long
- The lid of the detergent dispenser does not open.
- Detergent is moist or clumping in box.
- Spray arm nozzles are clogged.
- Spray arms are blocked by dishware.
- Was the cycle terminated early?

Detergent residue remains in the dispenser

How to fix these problems

- Ensure that the detergent dispenser is dry before filling it.
- Pour the detergent in just before washing.
- When loading the dishwasher, take care to ensure that you do not accidentally block detergent cup with large dishware or utensils.
- Store detergents in a dry location. Close the lid of the container carefully.
- Clean the spray arms as described in this manual.
- Make sure spray arms rotate freely.
- Terminating the cycle early can leave detergent residue in the dispenser.



Possible causes

- Improper loading.
- Overloaded racks.



Possible causes

- Dish items/parts made from aluminium.
- The lid of the salt container is not closed securely. Salt loss. (models with salt container)
- The hardness is not selected properly; too little salt is being used.
- Detergents are being stored under unfavourable conditions.
- Overloaded racks.

Dishes break

How to fix these problems

- Load the dishwasher as suggested in this manual.
- Do not overload the dish rack. Dishes may hit against each other and break.

Scratched dishes

How to fix these problems

- Dishes and cutlery of this type are not suited for the dishwasher.
- Check whether the lid of the salt container is firmly closed. Use the funnel to pour in special salt. Begin the Rinse and Hold program right after filling in salt. After the program is complete, check whether the lid may have loosened.
- Call water supplier and ask for local hardness in grains per gallon or ppm. Adjust the water hardness level setting accordingly.
- Detergents should not be stored longer than 2 months in open packages. Store detergents in a dry location. Close the lid of the container carefully.
- Take care to ensure that individual glasses and dishes do not touch. They may hit against each other during the washing process, causing scratches.



Possible causes

- The dishes are pre-washed by hand with a large amount of dish detergent.
- Rinse aid has accidentally leaked into the machine.
- The cover of the rinse aid dispenser is not closed securely.

Foam

How to fix these problems

- Dishes do not need to be pre-washed. Coarse dirt may be removed with a dishcloth, or you may hold the dishes under running water.
- If rinse aid has been spilled during refilling, remove the aid using a paper cloth or sponge.
- Always take care to ensure that the lid is closed after refilling the rinse aid dispenser.



Possible causes

- Clogged filters.
- Drain hose kinked or clogged.

Water remains inside the machine after the rinse cycle

How to fix these problems

- Clean all filters as described in this manual.
- Ensure that the drain hose is properly placed and open.

12. TECHNICAL FEATURES

Load capacity	12 place settings
Permissible water pressure	4.35 - 145 psi (0.3 - 10 bars)
Electrical connection	120 V (volts), 12 A (amps), 60Hz (hertz)
Total power	1400 W (watts)
Heater power	1240 W (watts)

Notice :

Because we continually strive to improve our products, we may change our specifications and design without prior notice.

This device corresponds to the following directives:

UL 749 Household Dishwasher directive.

13. WARRANTY STATEMENT FOR THE BLOMBERG DISHWASHERS

The warranties provided by Blomberg in these statements only apply to Blomberg dishwashers sold to the original purchaser or homeowner in the US and Canada. **The warranty is not transferable.** To obtain warranty service, please contact our nearest distributor as listed by state. You will need your dishwasher model number, serial number, retailer name and address, where purchased and purchase date / installation date. This warranty gives you specific legal rights, and you may also have other rights which vary from state to state.

“This product is fully tested and went through official quality assurance inspections before leaving the original manufacturing site. Warranty terms for this Blomberg household appliance is not valid if the product is altered, tampered, modified, additional parts assembled, fixed and re-packed by an authorized distributor, servicer, a third party retailer, reseller or by any other unauthorized person(s)”

1 year * limited warranty from date of first installation

Blomberg will repair or replace at no cost to the consumer any defective parts of the dishwasher if used under normal household conditions or is installed at an employee kitchen, office use, lodges, primary care facilities such as elderly homes, etc. **(warranty is void if the product is installed high traffic locations such as dormitories, school kitchens, restaurants, cafeterias etc. Please consult Blomberg authorized distributor prior to operating the unit about the warranty disclaimer). Service must also be performed by an authorized Blomberg service agency. (Cosmetic defects must be reported within 10 business days from installation)**

2 year * ++ limited warranty from date of first installation

(Parts only) Blomberg will repair or replace any parts at no cost to the consumer if material defects or workmanship have

caused the damage or failure of these components. **Again the dishwasher must have been used under normal household conditions and not commercially as stated above (Labor charges are the responsibility of the consumer).**

5 year * ++ limited warranty from date of first installation

(parts only 3-5 years) Blomberg will repair or replace any circuit boards or nylon dishwasher racks **(excluding any plastic rack attachments)** at no cost to the consumer if material defects or workmanship have caused the damage or failure of these components. **The dishwasher must have been used under normal household conditions and not commercially (Labor charges are the responsibility of the consumer)**

Lifetime limited warranty from date of first installation * ++

(parts only) Blomberg will repair or replace to **the original owner** the stainless steel tub or door if rust through occurs **under normal household use and normal water conditions (no excessive chlorine).** Blomberg may, at its option, also replace the whole dishwasher with the same and/or equivalent model with equal or better functionality if the original model is no longer available. **(Labor, removal and installation charges are the responsibility of the consumer.)**

Disclaimers of warranties and exclusions:

Warranty does not cover service costs by an authorized service agent to correct installation, electrical and plumbing problems or educational instruction on the use of the dishwasher. The warranty also does not cover defects or damage caused by an act of god (such as storms, floods, fires, mudslides, steam protection folio etc.), damage cause by use of the dishwasher for purposes other than those for

which it was designed, misuse, disuse, abuse, accident, alteration, improper installation, maintenance, travel fees, service calls outside normal service hours, unauthorized service work.

TO THE EXTENT PERMITTED BY LAW, THIS WARRANTY IS IN LIEU OF ALL OTHER EXPRESSED AND IMPLIED WARRANTIES, INCLUDING THE IMPLIED WARRANTIES OF MERCHANTABILITY AND FITNESS FOR A PARTICULAR PURPOSE. BLOMBERG UNDERTAKES NO RESPONSIBILITY FOR THE QUALITY OF THIS PRODUCT EXCEPT AS OTHERWISE PROVIDED IN THIS WARRANTY STATEMENT. BLOMBERG ASSUMES NO RESPONSIBILITY THAT THE PRODUCT WILL BE FIT FOR ANY PARTICULAR PURPOSE FOR WHICH YOU MAY BE BUYING THIS PRODUCT, EXCEPT AS OTHERWISE PROVIDED IN THIS WARRANTY STATEMENT.

Blomberg does not assume any responsibility for incidental or consequential damages. Such damages include, but are not limited to, loss of profits, loss of savings or revenue, loss of use of the dishwasher or any associated equipment, cost of capital, cost of any substitute equipment, facilities or services, downtime, the claims of third parties, and injury to property. Some states do not allow the exclusion or limitation of incidental or consequential damages, so the above limitations or exclusion may not apply to you.

* installation date shall refer to either purchase date or 5 business days after delivery of the product to the home, whichever is later.

++ parts replaced will assume the identity of the original parts + their original warranty.

No Other Warranties. This Warranty Statement is the complete and exclusive warranty from the manufacturer. No employee of Blomberg or any other party is authorized to make any warranty in Statement addition to those made in this Warranty Statement.

14. HOW TO GET SERVICE

Please contact the Distributor for your State or Province as listed on the Distributor Contact List, or call our Toll Free Number at **1 800 459 9848** for direction to an Authorized Blomberg Service Agent.

